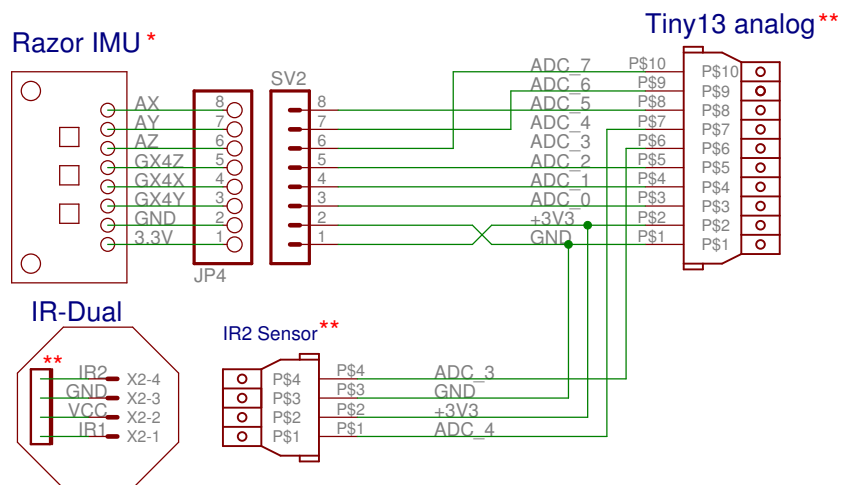


* Note: @HB Razor IMU 6DOF is modified, remove R5,R8,R16, shorten C1 C2 C19.

** Note: @HB moxex sockets on Tiny_1.3 board are skewed mounted !



Wiring Diagram SAS IMU

Bearbeiter: Oliver Riesener

TITLE: sas_imu

Document Number: Hochschule Bremen, Prof.-Dr. Heinrich Warmers
 REU: V0.13

Date: 31.08.10 11:20
 Sheet: 1/1